

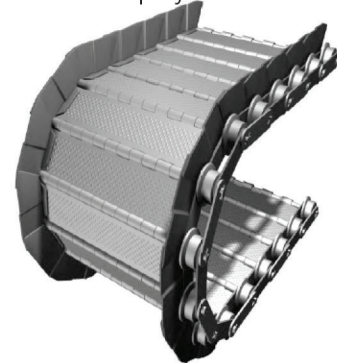


**STAMPING SCRAP  
SYSTEMS**

## Mayfran Stamping Conveyor Systems Keep Scrap Moving

Let's face it: Inefficient scrap removal in a stamping plant cannot be tolerated. Your presses are in constant use, perhaps even 24/7. With that kind of production rate, you want assurance that your scrap system keeps up with the demand. This is where Mayfran comes in. Mayfran engineers have been designing innovative, efficient and durable scrap systems for more than a half century.

Mayfran scrap systems incorporate custom-designed platforms, stairs, bins, chutes, loose scrap distribution systems and control systems for a complete stamping scrap system unmatched by any other stamping scrap conveyor manufacturer in the world.



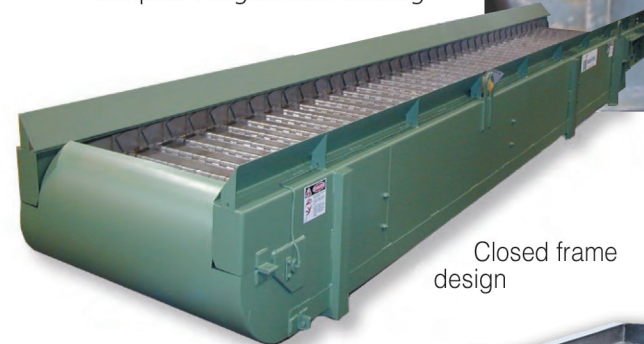
Dimpled Hinged Steel Belting



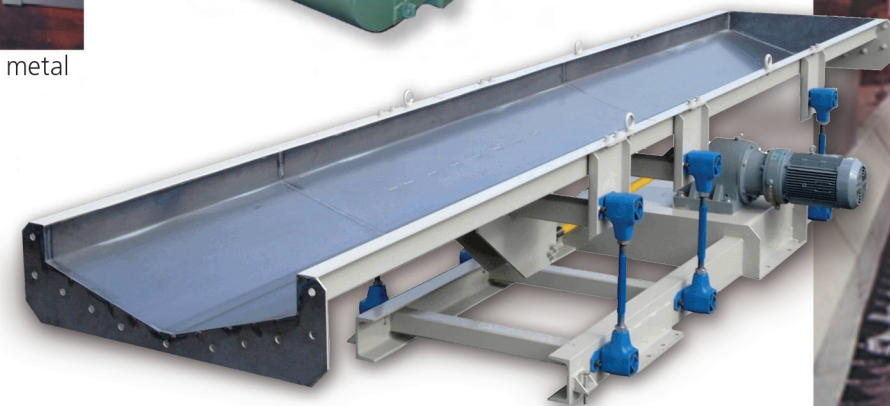
Automated scrap distribution systems specifically designed for customer applications.



Open frame design with expanded metal guards



Closed frame design



Shuffle Drive Conveyor System



Collector conveyors move scrap from the presses discharging it onto conveyors for elevation to distribution systems.

More than 75% of the major stamping plant installations around the world include conveyors manufactured by Mayfran!



[www.Mayfran.com](http://www.Mayfran.com)

Mayfran America

Mayfran Netherlands

Mayfran Germany

Mayfran France

Mayfran United Kingdom

Mayfran Italy

Mayfran Czech Republic

Mayfran Japan

Mayfran China

Mayfran India

Mayfran Canada

Global Supplier of Engineered Products and Services for Chip and Coolant Management



Mayfran International, Inc.  
6650 Beta Drive  
Cleveland, OH 44143 USA

Ph +1 440 461 4100  
Fax +1 440 461 5565

[www.Mayfran.com](http://www.Mayfran.com)

FRM 8367 10.2014